

Follo Stabilis Eva Walker



Manual



Gas



Electric

chiroform®

Mariendalsvej 22

8800 Viborg

Denmark

Tel:+4586613611

chiroform@chiroform.dk

www.chiroform.dk

The Eva Walker walking table is an aid used for patient rehabilitation. It provides a patient with the possibility of moving around safely to stimulate movement and increase blood circulation when a patient starts to use muscles again. The electric walking table can also aid patients in standing up. The base frame is slender and well suited for use in private homes. The Eva Walker comes in two versions; standard and wide.

The walking table has a functional open construction, making it easy for the patient to use. Its anatomical design makes it possible for nurses and helpers to access the patient's body.

The Follo Eva Walker is available in many different versions: manual, electric or running on gas springs. Adjusting the height on the gas-operated version is done using the adjustment handle located on the upper frame, easy to reach by users and medical practitioners. Adjusting the electric walking table is done using a hand-held control device. The manual walking table is adjusted using a handle located on the front of the walking table. The small version is supplied with manual and gas height adjustments.

This patient aid satisfies all the Scandinavian specification requirements for medical walking tables. Eva Walker has been tested by the Danish Centre for Assistive Technology pursuant to EN-ISO 11199-3:2005, and is CE labelled.

The walking table does not have many flat surfaces, making it easy to clean. All the models have adjustable dish-shaped forearm supports with simple and stable position adjustments. The arm cushions are easy to remove for cleaning. The wheels are 100mm in size and roll easily. The two back wheels can be locked. Wheels with directional steering can also be provided as an accessory. The wheels on the small version are 75 mm.

Maximum user weight is 150 kg. The height on the manual walking table is 86-125,5 cm; the height on the gas spring table is 86-127 cm, while the height on the electric version is 91-125,5 cm. The width of the base frame is 70 cm. Maximum user weight for the small table is 150 kg. The height on the manual version can be adjusted from 67,5 to 97 cm, while the gas spring version can be adjusted from 72 to 103 cm.

The walking is constructed of steel tubing and its surface has a grey wear-proof and powder-coated lacquer finish. The cushions are made of black polyurethane foam.

We also offer accessory equipment like a basket, an infusion holder, an oxygen bottle holder and adjustable handles.

The walking table is manufactured entirely in Norway.

Technical Data 109 / 110 model

	Manual		Gas		Electric
	Small	High	Small	High	
Height min / max	67,5 cm/97 cm	86 cm/125,5 cm	72 cm/103 cm	86 cm/127 cm	91 cm/125,5 cm
Cushions width min / max	62 cm / 81 cm	62 cm / 81 cm	62 cm / 81 cm	62 cm / 81 cm	62 cm / 81 cm
Lenght	79,5 cm	79,5 cm	79,5 cm	79,5 cm	79,5 cm
Weight	14,3 kg	16,2 kg	14 kg	14,7 cm	20,6 kg
Max. weight of user	150 kg	150 kg	150 kg	150 kg	150 kg
Min. turn radius	100 cm	100 cm	100 cm	100 cm	100 cm
Width of the bottom frame 109	70 cm	70 cm	70 cm	70 cm	70 cm
Width of the bottom frame 110	80 cm	80 cm	80 cm	80 cm	80 cm
Interior dim of the arm cushions min / max	28,5 cm/49 cm	28,5 cm/49 cm	28,5 cm/49 cm	28,5 cm/49 cm	28,5 cm/49 cm

Accessory Equipment



Oxygen bottle holder



Infusion holder



Handbrakes



Handles with Electric controls



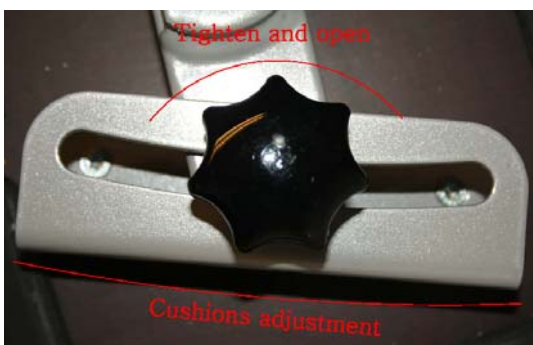
Basket



Hinged handles

Adjustment Functions

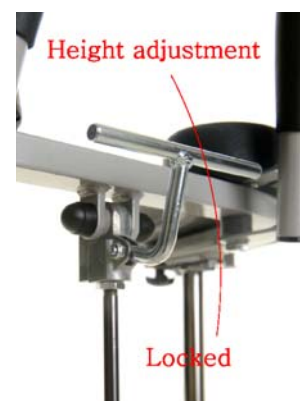
Arm cushions



Brakes



Height, gas



Height, manual version

